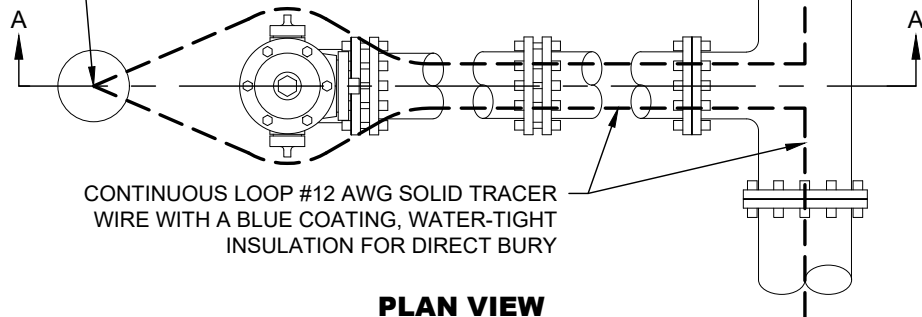


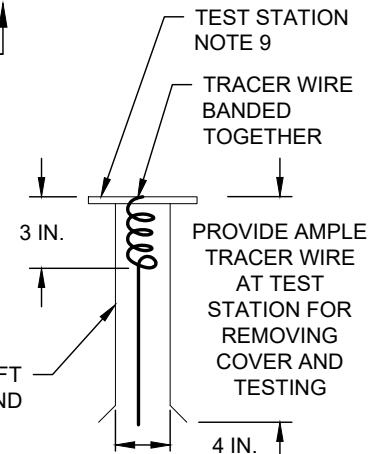
TEST STATION. EXTEND TRACER WIRE 18 IN. ABOVE PVC CAP

SOLDERLESS, 3M TYPE DB4-6 LOW VOLTAGE DIRECT BURY SPLICE KIT, OR PRE-APPROVED EQUAL

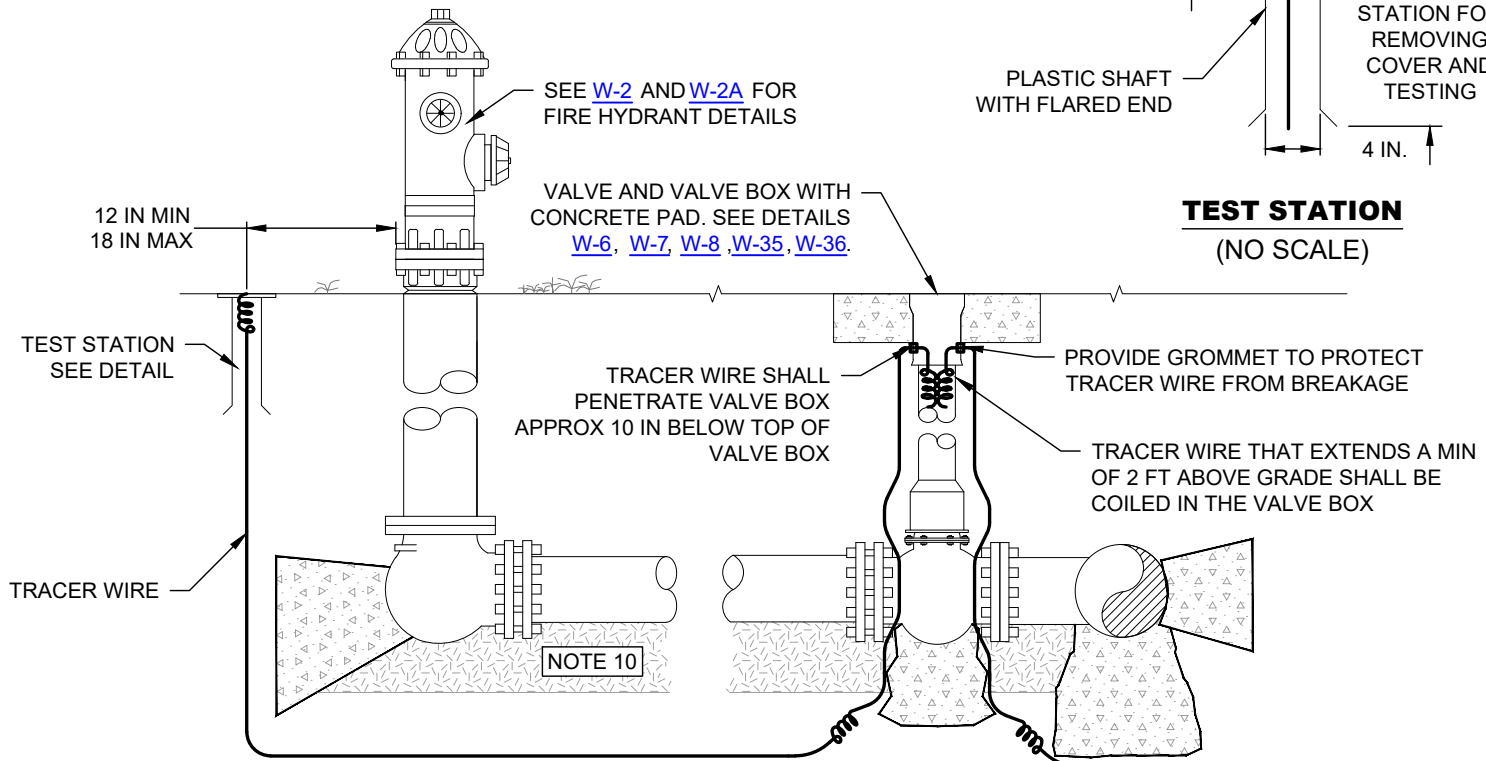


CONTINUOUS LOOP #12 AWG SOLID TRACER WIRE WITH A BLUE COATING, WATER-TIGHT INSULATION FOR DIRECT BURY

**PLAN VIEW**



**TEST STATION (NO SCALE)**



**SECTION A-A**

- NOTES:**
1. SEE [W-2](#) AND [W-2A](#) FOR FIRE HYDRANT REQUIREMENTS.
  2. TRACER WIRE SHALL BE TIED INTO EVERY VALVE, BLOW-OFF, ARV AND OTHER DEVICES.
  3. TRACER LEADS SHALL BE INSTALLED IN APPROVED VALVE BOXES OR TRACER WIRE ACCESS BOXES. ACCESS BOX STYLE (LIGHT DUTY, DRIVEWAY, OR ROADWAY) SHALL BE DETERMINED BY BOX LOCATION.
  4. VALVE BOXES SHALL BE INSTALLED FLUSH WITH GROUND.
  5. TRACER LEADS SHALL HAVE ADEQUATE SLACK THROUGHOUT THE INSTALLATION TO REDUCE BREAKAGE FROM PULLING.
  6. TRACER WIRE THAT EXTENDS A MIN OF 2 FT. ABOVE GRADE SHALL BE COILED IN THE VALVE BOX AND WIRES SHALL BE PROPERLY CONNECTED TO THE THE VALVE BOX PER MANUFACTURES SPECIFICATIONS. ALL TRACER WIRES SHALL BE OF #12 AWG SOLID TRACER WIRE WITH A BLUE COATING.
  7. CONTRACTOR SHALL PROTECT THE LEADS, BOXES AND ALL TRACER WIRES THROUGHOUT THE PROJECT.
  8. PROVIDE ONE TRACER WIRE IN EACH DIRECTION UNLESS OTHERWISE NOTED.
  9. TEST STATION. "CP" TYPE COLUMN 4. TEST STATION AT EACH FIRE HYDRANT. HEAVY CAST IRON LOCKING COVER WITH 4 TERMINALS. 4 IN. ID X 18 IN. SHAFT LENGTH.
  10. EMBEDMENT PER STANDARD DETAILS [G-8](#). TRACER WIRE TO BE PLACED ON TOP OF TRENCH EXCAVATION PRIOR TO PLACEMENT OF EMBEDMENT.

**TRACER WIRE DETAILS (NO SCALE)**



**ENGINEERING DIVISION**

**DISCLAIMER:** THE USE OF THIS STANDARD IS GOVERNED BY THE "TEXAS ENGINEERING PRACTICE ACT". NO WARRANTY OF ANY KIND IS MADE BY THE CITY OF WACO FOR ANY PURPOSE WHATSOEVER. THE CITY OF WACO ASSUMES NO RESPONSIBILITY FOR THE CONVERSION OF THIS STANDARD TO OTHER FORMATS OR FOR INCORRECT RESULTS OR DAMAGES RESULTING FROM ITS USE.

REVISIONS			
NO.	COMMENTS	BY	DATE
1	MODIFY TRACER WIRE MATERIAL IN PLAN VIEW AND NOTE 6	MZ	11/15/2024
##	DESCRIPTION	FL	MM/DD/YYYY

DATE  
01/01/2024

**W-34**