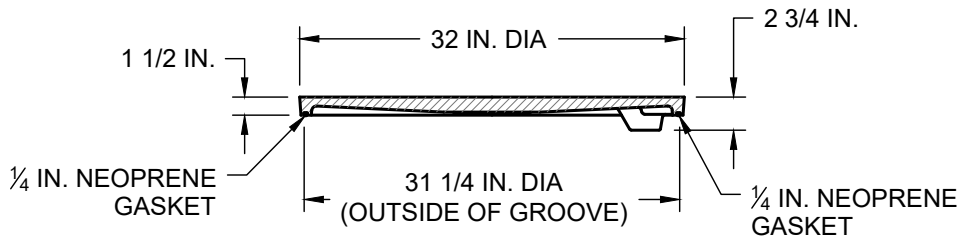
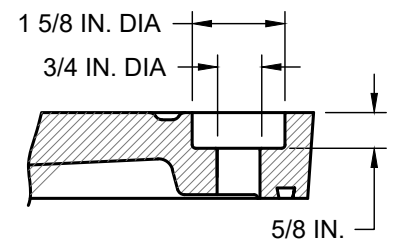


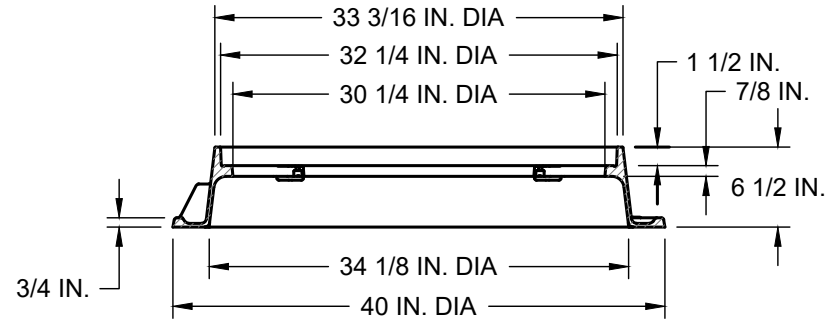
**STANDARD COVER AND FRAME**



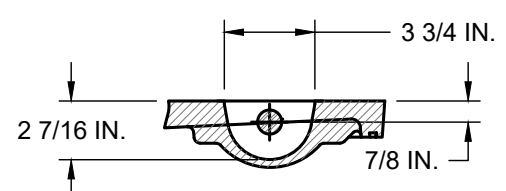
**SECTION A-A COVER**



**BOLT HOLE DETAIL**



**SECTION A-A FRAME**



**SECTION B-B PICK BAR DETAIL**

**WATERTIGHT/AIRTIGHT SANITARY SEWER MANHOLE COVER AND FRAME**  
(NO SCALE)



**ENGINEERING DIVISION**

DISCLAIMER: THE USE OF THIS STANDARD IS GOVERNED BY THE "TEXAS ENGINEERING PRACTICE ACT". NO WARRANTY OF ANY KIND IS MADE BY THE CITY OF WACO FOR ANY PURPOSE WHATSOEVER. THE CITY OF WACO ASSUMES NO RESPONSIBILITY FOR THE CONVERSION OF THIS STANDARD TO OTHER FORMATS OR FOR INCORRECT RESULTS OR DAMAGES RESULTING FROM ITS USE.

REVISIONS			
NO.	COMMENTS	BY	DATE
2	REVISED FOR CURRENT STANDARD	MZ	11/15/2024
1	UPDATE CITY LOGO	MZ	04/19/2024
##	DESCRIPTION	FL	MM/DD/YYYY

DATE  
01/01/2024

**S-8**